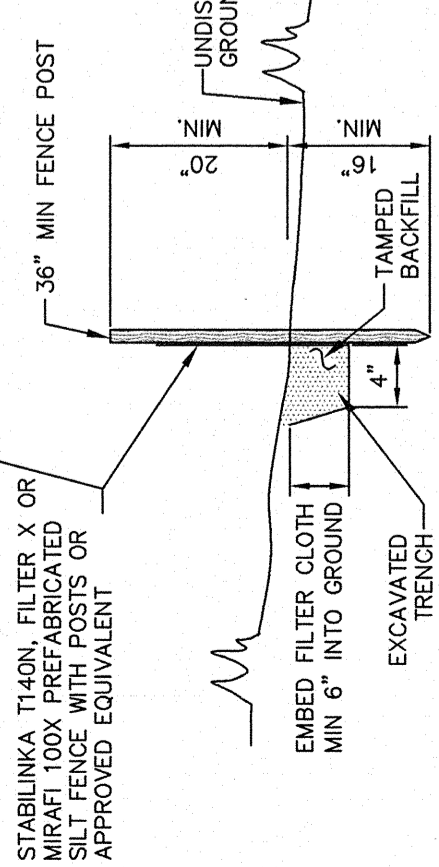


**PERSPECTIVE VIEW**

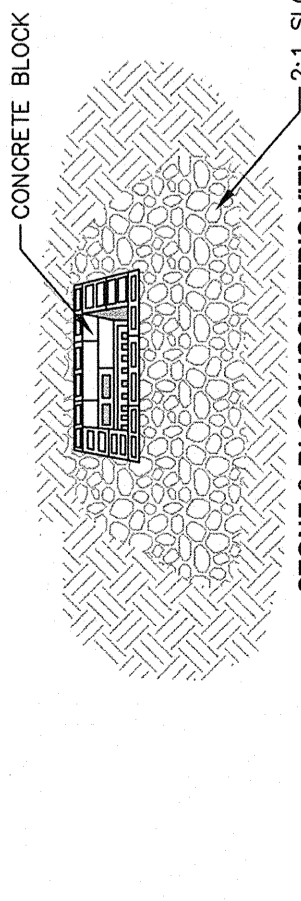


**SECTION**

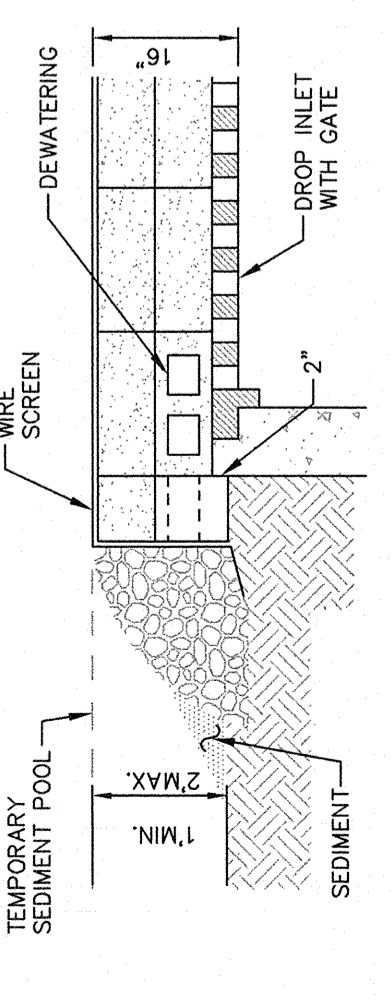
- NOTES:**
1. WOVEN WIRE FENCE TO BE FASTENED SECURELY TO FENCE POSTS WITH WIRE TIES OR STAPLES. POSTS SHALL BE STEEL "1" OR "1/2" TYPE OR HARDWOOD.
  2. FILTER CLOTH TO BE FASTENED SECURELY TO WOVEN WIRE FENCE WITH TIES SPACED EVERY 24" AT TOP AND MID SECTION. FENCE SHALL BE WOVEN WIRE, 6" MAX MESH OPENING.
  3. WHEN TWO SECTIONS OF FILTER CLOTH ADJOIN EACH OTHER, THEY SHALL BE OVERLAPPED BY 6" AND FASTENED.
  4. MAINTENANCE SHALL BE PERFORMED AS NEEDED AND MATERIALS REMOVED WHEN "BULGES" DEVELOP IN THE SILT FENCE.
  5. MAXIMUM DRAINAGE AREA FOR OVERLAND FLOW TO A SILT FENCE SHALL NOT EXCEED 1/4 ACRE PER 100 FEET OF FENCE.
  6. SILT FENCE SHALL BE USED WHERE EROSION COULD OCCUR IN THE FORM OF SHEET EROSION.
  7. SILT FENCE SHALL NOT BE USED WHEN A CONCENTRATION OF WATER IS FLOWING TO THE BARRIER.
  8. MAXIMUM ALLOWABLE SLOPE LENGTHS CONTRIBUTING RUN-OFF TO A SILT FENCE ARE:
 

SLOPE STEEPNESS	MAXIMUM SLOPE LENGTH (FT)
3:1	50
4:1	75
5:1 OR FLATTER	100

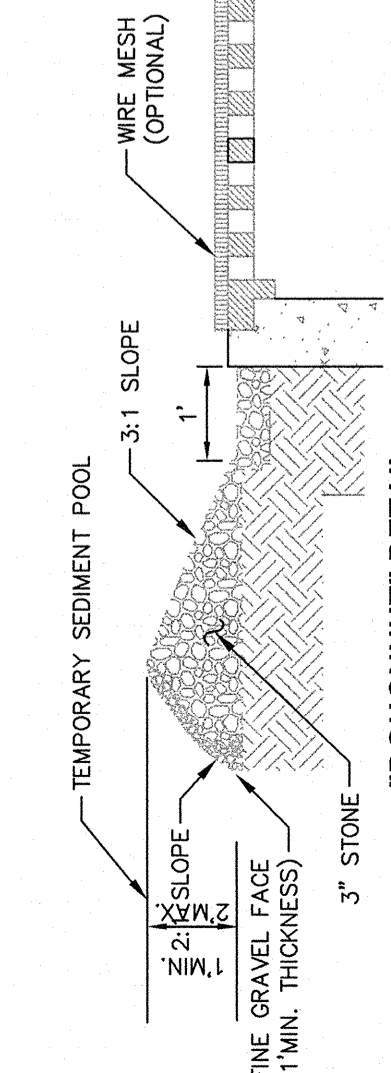
**1 SILT FENCE INSTALLATION DETAIL**  
SCALE: NOT TO SCALE



**STONE & BLOCK ISOMETRIC VIEW**



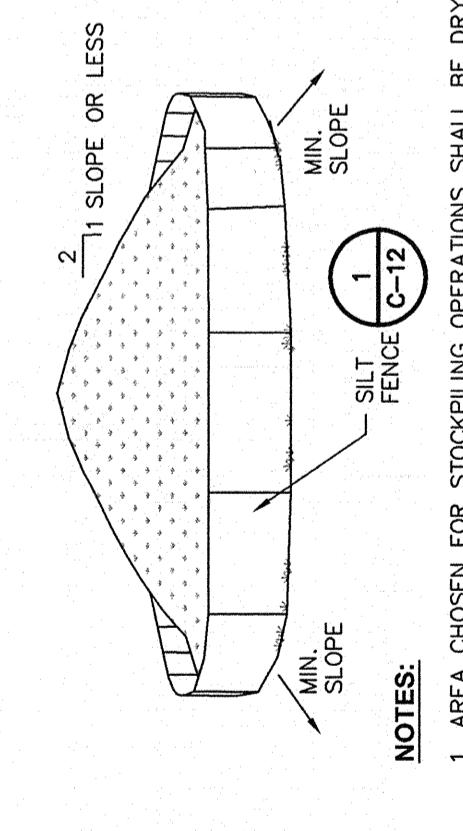
**STONE & BLOCK DETAIL**



**"DOUGHNUT" DETAIL**

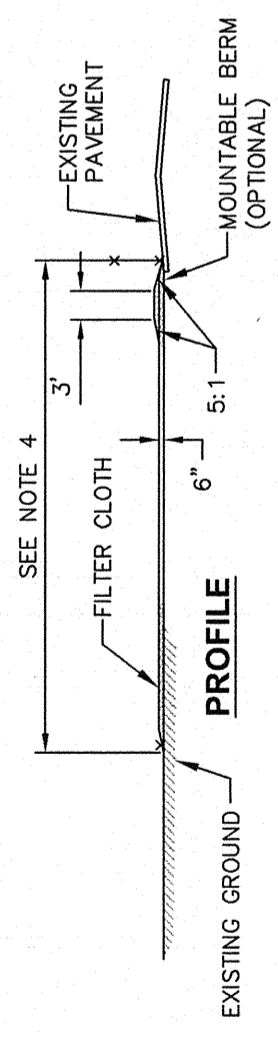
- CONSTRUCTION SPECIFICATIONS:**
1. LAY ONE BLOCK ON EACH SIDE OF THE STRUCTURE ON ITS SIDE FOR DEWATERING. TOP OF THE BLOCK ON A 2:1 SLOPE OR FLATTER.
  2. HARDWARE CLOTH OR 1/2" WIRE MESH SHALL BE PLACED OVER BLOCK OPENINGS TO SUPPORT STONE.
  3. USE CLEAN STONE OR GRAVEL 1/2"-3/4" INCH IN DIAMETER PLACED 2 INCHES BELOW TOP OF THE BLOCK ON A 2:1 SLOPE OR FLATTER.
  4. FOR STONE STRUCTURES ONLY, A 1 FOOT THICK LAYER OF THE FILTER STONE WILL BE PLACED AGAINST THE 3 INCH STONE AS SHOWN ON THE DRAWINGS. MAXIMUM DRAINAGE AREA 1 ACRE.
  5. MAXIMUM DRAINAGE AREA IS 1 ACRE.

**2 CATCH BASIN STONE AND BLOCK INLET PROTECTION DETAIL**  
SCALE: NOT TO SCALE

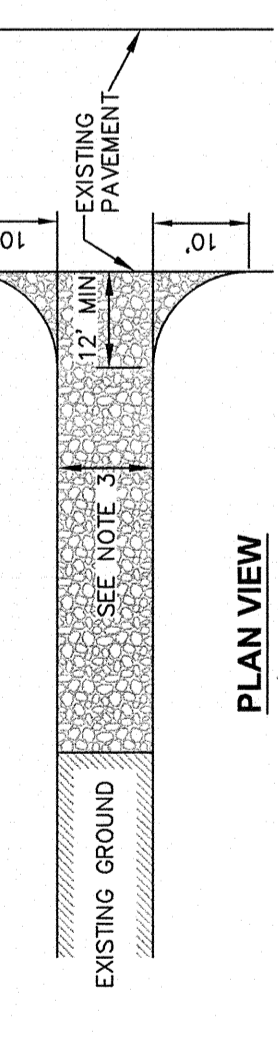


**3 TEMPORARY SOIL STOCKPILE DETAIL**  
SCALE: NOT TO SCALE

- NOTES:**
1. AREA CHOSEN FOR STOCKPILING OPERATIONS SHALL BE DRY AND STABLE.
  2. MAXIMUM SLOPE OF STOCKPILE SHALL BE 1V:2H.
  3. UPON COMPLETION OF SOIL STOCKPILING, EACH PILE SHALL BE SURROUNDED WITH SILT FENCING, THEN STABILIZED WITH VEGETATION OR COVERED.
  4. SEE SPECIFICATIONS FOR INSTALLATION OF SILT FENCE.



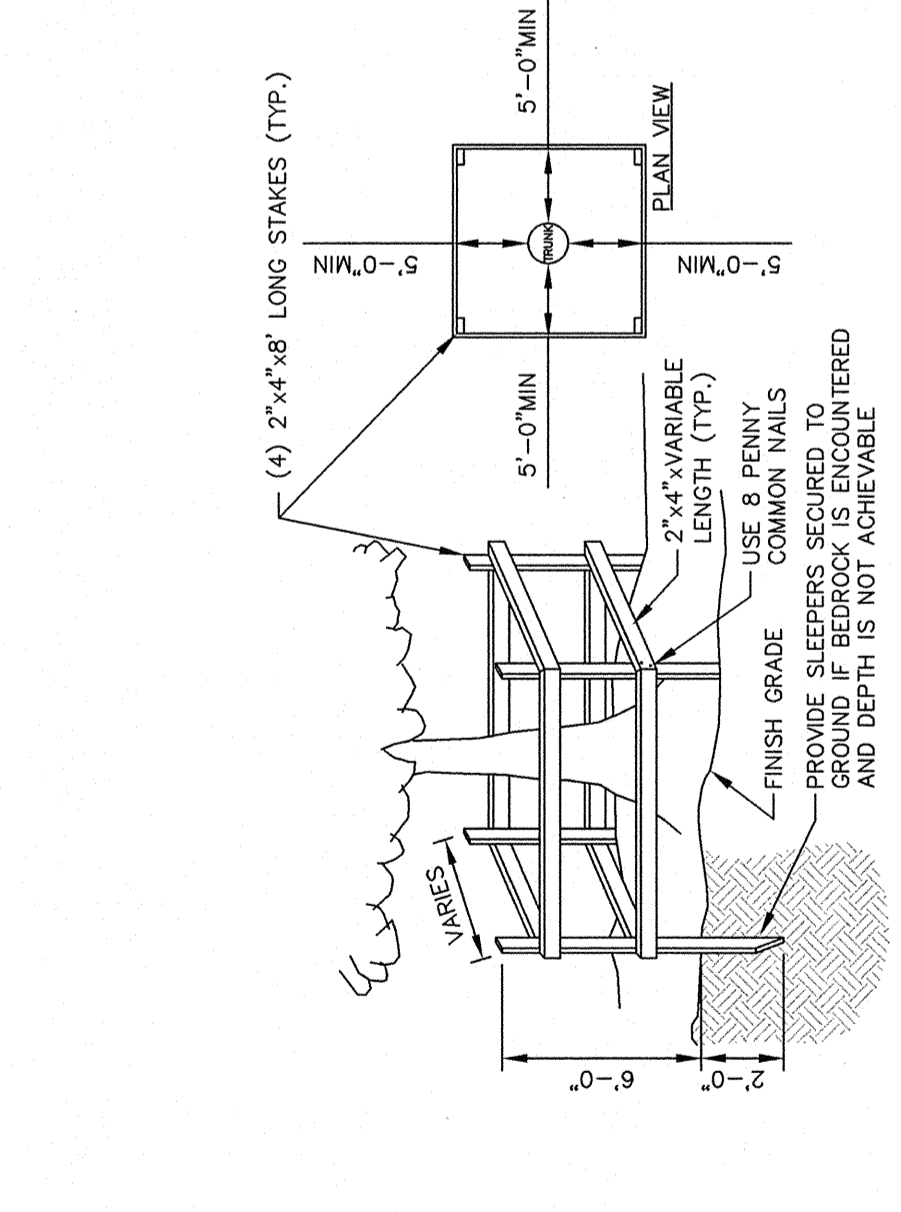
**PROFILE**



**PLAN VIEW**

- CONSTRUCTION ENTRANCE SPECIFICATIONS:**
1. STONE SIZE - USE 2" STONE, OR RECLAIMED OR RECYCLED CONCRETE EQUIVALENT.
  2. THICKNESS - NOT LESS THAN SIX (6) INCHES.
  3. WIDTH - TWELVE (12) FOOT MINIMUM, BUT NOT LESS THAN THE FULL WIDTH AT POINTS WHERE INGRESS OR EGRESS OCCURS.
  4. LENGTH FOUR (24) FEET IF SINGLE ENTRANCE TO SITE.
  5. LOT WHERE A 30' MINIMUM LENGTH WOULD APPLY.
  6. SURFACE WATER - ALL SURFACE WATER FLOWING OR DIVERTED TOWARD CONSTRUCTION ENTRANCES SHALL BE PIPED ACROSS THE ENTRANCE. IF PIPING IS IMPRACTICAL, A MOUNTABLE BERM WITH 5:1 SLOPES WILL BE PERMITTED.
  7. MAINTENANCE - THE ENTRANCE SHALL BE MAINTAINED IN A CONDITION WHICH WILL PREVENT TRACKING OR LEAKING OF SEDIMENT. PERIODIC TOP DRESSING WITH ADDITIONAL STONE AS CONDITIONS DEMAND AND REPAIR AND/OR CLEANOUT OF ANY MEASURES USED TO PREVENT TRACKING SHALL BE PERFORMED IMMEDIATELY. WASHED OR TRACKED ONTO PUBLIC RIGHTS-OF-WAY MUST BE REMOVED IMMEDIATELY.
  8. WASHING - WHEELS SHALL BE CLEANED TO REMOVE SEDIMENT PRIOR TO ENTRANCE ONTO PUBLIC RIGHTS-OF-WAY. WHEN WASHING IS REQUIRED, IT SHALL BE DONE ON AN AREA EQUIPPED WITH A WASHING DEVICE WHICH DRAINS INTO AN APPROVED SEDIMENT TRAPPING DEVICE.
  9. PERIODIC INSPECTION AND NEEDED MAINTENANCE SHALL BE PROVIDED AFTER EACH RAIN.

**4 STABILIZED CONSTRUCTION ENTRANCE DETAIL**  
SCALE: NOT TO SCALE



**5 TEMPORARY TREE PROTECTION DETAIL**  
SCALE: NOT TO SCALE

- NOTE:** SEE LANDSCAPING PLAN FOR ADDITIONAL TREE PROTECTION NOTES.
1. PROVIDE SLEEPERS SECURED TO GROUND IF BEDROCK IS ENCOUNTERED AND DEPTH IS NOT ACHIEVABLE.

- MAINTENANCE OF EROSION AND SEDIMENT CONTROL MEASURES:**
- PERMANENT AND TEMPORARY VEGETATION:**
- INSPECT ALL AREAS THAT HAVE RECEIVED VEGETATION EVERY SEVEN DAYS & AFTER EVERY RAIN EVENT. CHECK FOR MUD, ACCUMULATIONS TO A HEIGHT EQUAL TO 1/3 THE HEIGHT OF THE FENCE. IF FENCE FABRIC BECOMES INEFFECTIVE, REPLACE THE AFFECTED SECTION OF FENCE IMMEDIATELY.
- STABILIZED CONSTRUCTION ENTRANCE:**
- INSPECT THE ENTRANCE PAD EVERY SEVEN DAYS & AFTER EVERY RAIN EVENT. CHECK FOR MUD, ACCUMULATIONS TO A HEIGHT EQUAL TO 1/3 THE HEIGHT OF THE FENCE. IF FENCE FABRIC BECOMES INEFFECTIVE, REPLACE THE AFFECTED SECTION OF FENCE IMMEDIATELY.
- RESHAPE PAD AS NEEDED FOR DRAINAGE AND RUNOFF CONTROL. WASH AND REPLACE STONE AS NEEDED. THE STONE IN THE ENTRANCE SHOULD BE WASHED OR REPLACED WHENEVER THE ENTRANCE BECOMES INEFFECTIVE. WASHED OR REPLACED STONE SHOULD BE WASHED OR SWEPT AWAY FROM THE ENTRANCE AND TRACKED ONTO PUBLIC RIGHTS-OF-WAY BY BRUSHING OR SWEEEPING. REMOVE TEMPORARY TRACKING OF WASHED ONTO PUBLIC RIGHTS-OF-WAY IMMEDIATELY.
- REMOVE TEMPORARY CONSTRUCTION ENTRANCE AS SOON AS THEY ARE NO LONGER NEEDED TO PROVIDE ACCESS TO THE SITE.

- SILT FENCE:**
- INSPECT FOR DAMAGE EVERY SEVEN DAYS & AFTER EVERY RAIN EVENT. MAKE ALL REPAIRS IMMEDIATELY. REMOVE SEDIMENT FROM THE UP-SLOPE FACE OF THE FENCE BEFORE IT ACCUMULATES TO A HEIGHT EQUAL TO 1/3 THE HEIGHT OF THE FENCE. IF FENCE FABRIC BECOMES INEFFECTIVE, REPLACE THE AFFECTED SECTION OF FENCE IMMEDIATELY.

- SOIL STOCKPILE:**
- INSPECT SEDIMENT CONTROL BARRIERS (SILT FENCE OR HAY BALE) AND VEGETATION FOR DAMAGE EVERY SEVEN DAYS & AFTER EVERY RAIN EVENT. MAKE IMMEDIATE REPAIRS IMMEDIATELY. REMOVE SEDIMENT FROM THE UP-SLOPE FACE OF THE FENCE BEFORE IT ACCUMULATES TO A HEIGHT EQUAL TO 1/3 THE HEIGHT OF THE SEDIMENT CONTROL BARRIER. IF SEDIMENT CONTROL BARRIER TEARS, BEGINS TO DECOMPOSE, OR IN ANYWAY BECOMES INEFFECTIVE, REPLACE IMMEDIATELY. REVEGETATE DISTURBED AREA TO STABILIZE SOIL STOCK PILE. REMOVE THE SEDIMENT CONTROL BARRIER WHEN THE SOIL STOCKPILE HAS BEEN REMOVED.

- QUIST CONTROL:**
- REMOVE CONSTRUCTION OPERATIONS TO MINIMIZE THE AMOUNT OF DISTURBED AREAS. AT ANY ONE TIME DURING THE COURSE OF WORK, APPLY TEMPORARY SOIL STABILIZATION PRACTICES SUCH AS MULCHING, SEEDING, AND SPRAYING (WATER). STRUCTURAL MEASURES (MULCH, SEEDING) SHALL BE INSTALLED IN DISTURBED AREAS BEFORE SIGNIFICANT BLOWING PROBLEMS DEVELOP. SPRAYING SHALL BE INSTALLED IN DISTURBED AREAS BEFORE SIGNIFICANT BLOWING PROBLEMS DEVELOP, WHICH COULD CREATE RUNOFF AND EROSION PROBLEMS.

- EARTH DIKE:**
- INSPECT ALL EARTH DIKES EVERY SEVEN DAYS & AFTER EVERY RAIN EVENT. ALL AREAS DAMAGED BY EROSION SHALL BE REPAIRED IMMEDIATELY.

- TEMPORARY SWALE:**
- INSPECT ALL SWALES EVERY SEVEN DAYS & AFTER EVERY RAIN EVENT. ALL AREAS DAMAGED BY EROSION SHALL BE REPAIRED IMMEDIATELY.

- STORM DRAIN INLET PROTECTION:**
- INSPECT ALL STORM DRAIN INLET PROTECTION DEVICES EVERY SEVEN DAYS & AFTER EVERY RAIN EVENT. MAKE REPAIRS AS NEEDED, REMOVE SEDIMENT FROM THE POOL AREA AS NECESSARY. (IF REQUIRED) - INSPECT DAILY DURING OPERATION FOR CLOGGING OR OVERFLOW. CLEAR INLET AND DISCHARGE PIPES OF OBSTRUCTIONS. IF A FILTER MATERIAL BECOMES CLOGGED WITH SEDIMENT, PIT SHALL BE DISMANTLED AND CONSTRUCT NEW PITS AS NEEDED.

- SNOW AND ICE CONTROL:**
- PARKING LOTS, ROADWAYS, AND DRIVEWAYS ADJACENT TO WATER QUALITY FILTERS SHALL NOT BE SANDED DURING SNOW EVENTS DUE TO HIGH POTENTIAL FOR CLOGGING FROM SAND IN SURFACE WATER RUNOFF. USE SALT ONLY FOR SNOW AND ICE CONTROL.

- GENERAL MEASURES:**
1. DAMAGE TO SURFACE WATERS RESULTING FROM EROSION AND SEDIMENTATION SHALL BE PREVENTED BY THE INSTALLATION OF EROSION AND SEDIMENT CONTROL MEASURES. SEGMENT FROM CONSTRUCTION SITE DISCHARGES.
  2. AS MUCH AS IS PRACTICAL, EXISTING VEGETATION SHALL BE PRESERVED. VEGETATION SHALL BE REPLANTED IMMEDIATELY. PERMANENT VEGETATION SHALL BE ESTABLISHED ON ALL EXPOSED SOILS.
  3. SITE PREPARATION ACTIVITIES SHALL BE PLANNED TO MINIMIZE THE SCOPE AND DURATION OF SOIL DISRUPTION.
  4. PERMANENT TRAFFIC CORRIDORS SHALL BE ESTABLISHED AND ROUTES OF EROSION AND SEDIMENT CONTROL SHALL BE AVOIDED. STABILIZED CONSTRUCTION ENTRANCES SHALL BE INSTALLED AT ALL POINTS OF ENTRY ONTO THE PROJECT SITE.

- GENERAL EROSION AND SEDIMENT CONTROL NOTES:**
1. ALL EROSION AND SEDIMENT CONTROL MEASURES ARE TO BE IN STRICT COMPLIANCE WITH "NEW YORK STATE STANDARDS AND SPECIFICATIONS FOR EROSION AND SEDIMENT CONTROL", AUGUST 2005.
  2. EXCESS SOIL TO BE STOCKPILED WITHIN THE LIMITS OF SITE DISTURBANCE IF NOT USED IMMEDIATELY FOR GRADING PURPOSES. INSTALL SILT FENCE AROUND SOIL STOCKPILES.
  3. APPLY SURFACE STABILIZATION AND RESTORATION MEASURES. AREAS UNDERGOING CLEARING OR GRADING AND ANY AREAS DISTURBED BY CONSTRUCTION ACTIVITIES SHALL BE RESTORED TO ORIGINAL OR BETTER CONDITION WITHIN 14 DAYS AFTER COMPLETION OF CONSTRUCTION. VEGETATION SHALL BE RE-PLANTED IMMEDIATELY WITHIN 14 DAYS AFTER COMPLETION OF CONSTRUCTION. VEGETATION SHALL BE RE-PLANTED IMMEDIATELY WITHIN 14 DAYS AFTER COMPLETION OF CONSTRUCTION. VEGETATION SHALL BE RE-PLANTED IMMEDIATELY WITHIN 14 DAYS AFTER COMPLETION OF CONSTRUCTION.

- CONSTRUCTION ENTRANCE SPECIFICATIONS:**
1. STONE SIZE - USE 2" STONE, OR RECLAIMED OR RECYCLED CONCRETE EQUIVALENT.
  2. THICKNESS - NOT LESS THAN SIX (6) INCHES.
  3. WIDTH - TWELVE (12) FOOT MINIMUM, BUT NOT LESS THAN THE FULL WIDTH AT POINTS WHERE INGRESS OR EGRESS OCCURS.
  4. LENGTH FOUR (24) FEET IF SINGLE ENTRANCE TO SITE.
  5. LOT WHERE A 30' MINIMUM LENGTH WOULD APPLY.
  6. SURFACE WATER - ALL SURFACE WATER FLOWING OR DIVERTED TOWARD CONSTRUCTION ENTRANCES SHALL BE PIPED ACROSS THE ENTRANCE. IF PIPING IS IMPRACTICAL, A MOUNTABLE BERM WITH 5:1 SLOPES WILL BE PERMITTED.
  7. MAINTENANCE - THE ENTRANCE SHALL BE MAINTAINED IN A CONDITION WHICH WILL PREVENT TRACKING OR LEAKING OF SEDIMENT. PERIODIC TOP DRESSING WITH ADDITIONAL STONE AS CONDITIONS DEMAND AND REPAIR AND/OR CLEANOUT OF ANY MEASURES USED TO PREVENT TRACKING SHALL BE PERFORMED IMMEDIATELY. WASHED OR TRACKED ONTO PUBLIC RIGHTS-OF-WAY MUST BE REMOVED IMMEDIATELY.
  8. WASHING - WHEELS SHALL BE CLEANED TO REMOVE SEDIMENT PRIOR TO ENTRANCE ONTO PUBLIC RIGHTS-OF-WAY. WHEN WASHING IS REQUIRED, IT SHALL BE DONE ON AN AREA EQUIPPED WITH A WASHING DEVICE WHICH DRAINS INTO AN APPROVED SEDIMENT TRAPPING DEVICE.
  9. PERIODIC INSPECTION AND NEEDED MAINTENANCE SHALL BE PROVIDED AFTER EACH RAIN.

- TOPSOIL SPECIFICATIONS:**
1. EXISTING EXCESS TOPSOIL SHALL BE REMOVED AND STORED IN TOPSOIL STOCKPILES. TOPSOIL SHALL BE STORED IN A MANNER THAT PREVENTS EROSION AND SEDIMENTATION. FENCE SHALL BE INSTALLED AROUND TOPSOIL STOCKPILE AREAS.
- SITE PREPARATION:**
1. COMPLETE ROUGH GRADING AND FINAL GRADE, ALLOWING FOR DEPTH OF TOPSOIL TO BE ADDED.
  2. SCARIFY ALL COMPACT SLOWLY PERMEABLE, MEDIUM AND FINE TEXTURED SUBSOIL AREAS SCARIFY AT APPROXIMATELY RIGHT ANGLES TO THE SLOPE DIRECTION IN SOIL AREAS THAT ARE STEEPER THAN 5%.
  3. REMOVE REFUSE, WOODY PLANT PARTS, STONES OVER 3 INCHES IN DIAMETER, AND OTHER LITTER.

- TOPSOIL MATERIALS:**
1. NEW TOPSOIL SHALL BE BETTER THAN OR EQUAL TO THE QUALITY OF THE EXISTING ADJACENT TOPSOIL. IT SHALL MEET THE FOLLOWING CRITERIA:
    - A. ORIGINAL LOAM TOPSOIL, WELL DRAINED HOMOGENEOUS TEXTURE AND OF UNIFORM GRADE, WITHOUT THE ADMIXTURE OF SUBSOIL MATERIAL AND FREE OF DENSE MATERIAL, HARDPAN, CLAY, STONES, SOD OR OTHER OBJECTIONABLE MATERIAL.
    - B. CONTAINING NOT LESS THAN 5% NOR MORE THAN 20% ORGANIC MATTER IN THAT PORTION OF A SAMPLING PASSING A 1/4" SEIVE WHEN DETERMINED BY THE WET COMBUSTION METHOD ON A SAMPLE DRIED AT 105°C.
    - C. CONTAINING A PH VALUE WITHIN THE RANGE OF 6.5 TO 7.5 ON THAT PORTION OF THE SAMPLE WHICH PASSES A 1/4" SEIVE.
  2. CONTAINING THE FOLLOWING WASHED GRADATIONS:
 

SEIVE DESIGNATION	% PASSING
100	100
1/4"	97-100
NO. 200	20-60

- APPLICATION AND GRADING:**
1. TOPSOIL SHALL BE DISTRIBUTED TO A UNIFORM DEPTH OF 4" OVER THE AREA. IT SHALL NOT BE PLACED WHEN IT IS PARTLY FROZEN, MUDDY, OR ON FROZEN SLOPES OR OVER ICE, SNOW, OR STANDING WATER.
  2. TOPSOIL PLACED AND GRADED ON SLOPES STEEPER THAN 5% SHALL BE PROMPTLY FERTILIZED, SEEDDED, MULCHED AND STABILIZED WITH "TRACKING" WITH SUITABLE EQUIPMENT.

- VEGETATIVE COVER SPECIFICATIONS:**
- TEMPORARY VEGETATIVE COVER (DURING CONSTRUCTION):**
1. SITE PREPARATION (SAME AS PERMANENT VEGETATIVE COVER)
  2. SEED MIX. (APPLY AT RATE OF 3 TO 4 LBS PER 1000 SF)
 

AMOUNT BY:	MINIMUM %
WEIGHT	SPERMATOPHYTES OR HAY
100%	ANNUAL GRASSES
	80%
	90%
	95%
	97%
	98%
	99%
	99%
	100%

- PERMANENT VEGETATIVE COVER (AFTER CONSTRUCTION):**
1. SITE PREPARATION (SAME AS PERMANENT VEGETATIVE COVER)
  2. SEED MIX. (APPLY AT RATE OF 3 TO 4 LBS PER 1000 SF)
 

AMOUNT BY:	MINIMUM %
WEIGHT	SPERMATOPHYTES OR HAY
100%	ANNUAL GRASSES
	80%
	90%
	95%
	97%
	98%
	99%
	99%
	100%

- SEEDING:**
1. APPLY SEED UNIFORMLY BY CYCLONE SEEDER CULTI-PACKER OR HYDRO-SEEDER AT RATE AS INDICATED.
  2. ALL SEEDING AREAS SHALL BE PROTECTED FROM EROSION BY ONE OF THE FOLLOWING METHODS:
    - i. STRAW BLANKET OF STRAW APPLIED AT A RATE OF 2 TONS /ACRE MIN., TO BE APPLIED ONCE SEEDING IS COMPLETE.
    - ii. WOOD FIBER CELLULOSE APPLIED WITH SEED MIX BY HYDROSEEDER AT RATE OF 2,000 LBS/ACRE.
    - iii. ALL SEEDING SLOPES 3:1 OR GREATER SHALL BE PROTECTED FROM EROSION WITH JUTE MESH OR APPROVED EQUAL.
  3. IRRIGATE TO FULLY SATURATE SOIL LAYER, BUT NOT TO DISCLOSE PLANTING SOIL.
  4. UNLESS OTHERWISE DIRECTED IN WRITING, SEED FROM MARCH 15TH TO JUNE 15TH, AND FROM AUGUST 15TH TO OCTOBER 15TH.

- FERTILIZER:** USE 5-10-5 (NPK) OR EQUIVALENT. APPLY AT RATE OF 4 LBS/1000 SF.
- SMOOTH AND FIRM THE SEEDBED.**
- SEED MIXTURE FOR USE ON LAWN AREAS:** SEED MIXTURE SHALL BE SPECIFIED IN THE PROPORTIONS SPECIFIED FOR SPECIES AND VARIETY, AND CONFORMING TO FEDERAL AND STATE STANDARDS.
- LAWN SEED MIX. (APPLY AT RATE OF 5 TO 6 LBS PER 1000 SF)**
- |        |                     |        |             |
|--------|---------------------|--------|-------------|
| WEIGHT | SPECIES OR VARIETY  | PURITY | GERMINATION |
| 40%    | KENTUCKY BLUE GRASS | 98%    | 90%         |
| 25%    | PERENNIAL RYE GRASS | 98%    | 90%         |
| 25%    | RED FESCUE          | 97%    | 85%         |
| 100%   |                     |        |             |

- SEEDING:**
1. APPLY SEED UNIFORMLY BY CYCLONE SEEDER CULTI-PACKER OR HYDRO-SEEDER AT RATE AS INDICATED.
  2. ALL SEEDING AREAS SHALL BE PROTECTED FROM EROSION BY ONE OF THE FOLLOWING METHODS:
    - i. STRAW BLANKET OF STRAW APPLIED AT A RATE OF 2 TONS /ACRE MIN., TO BE APPLIED ONCE SEEDING IS COMPLETE.
    - ii. WOOD FIBER CELLULOSE APPLIED WITH SEED MIX BY HYDROSEEDER AT RATE OF 2,000 LBS/ACRE.
    - iii. ALL SEEDING SLOPES 3:1 OR GREATER SHALL BE PROTECTED FROM EROSION WITH JUTE MESH OR APPROVED EQUAL.
  3. IRRIGATE TO FULLY SATURATE SOIL LAYER, BUT NOT TO DISCLOSE PLANTING SOIL.
  4. UNLESS OTHERWISE DIRECTED IN WRITING, SEED FROM MARCH 15TH TO JUNE 15TH, AND FROM AUGUST 15TH TO OCTOBER 15TH.

- FERTILIZER:** USE 5-10-5 (NPK) OR EQUIVALENT. APPLY AT RATE OF 4 LBS/1000 SF.
- SMOOTH AND FIRM THE SEEDBED.**
- SEED MIXTURE FOR USE ON LAWN AREAS:** SEED MIXTURE SHALL BE SPECIFIED IN THE PROPORTIONS SPECIFIED FOR SPECIES AND VARIETY, AND CONFORMING TO FEDERAL AND STATE STANDARDS.
- LAWN SEED MIX. (APPLY AT RATE OF 5 TO 6 LBS PER 1000 SF)**
- |        |                     |        |             |
|--------|---------------------|--------|-------------|
| WEIGHT | SPECIES OR VARIETY  | PURITY | GERMINATION |
| 40%    | KENTUCKY BLUE GRASS | 98%    | 90%         |
| 25%    | PERENNIAL RYE GRASS | 98%    | 90%         |
| 25%    | RED FESCUE          | 97%    | 85%         |
| 100%   |                     |        |             |

- SEEDING:**
1. APPLY SEED UNIFORMLY BY CYCLONE SEEDER CULTI-PACKER OR HYDRO-SEEDER AT RATE AS INDICATED.
  2. ALL SEEDING AREAS SHALL BE PROTECTED FROM EROSION BY ONE OF THE FOLLOWING METHODS:
    - i. STRAW BLANKET OF STRAW APPLIED AT A RATE OF 2 TONS /ACRE MIN., TO BE APPLIED ONCE SEEDING IS COMPLETE.
    - ii. WOOD FIBER CELLULOSE APPLIED WITH SEED MIX BY HYDROSEEDER AT RATE OF 2,000 LBS/ACRE.
    - iii. ALL SEEDING SLOPES 3:1 OR GREATER SHALL BE PROTECTED FROM EROSION WITH JUTE MESH OR APPROVED EQUAL.
  3. IRRIGATE TO FULLY SATURATE SOIL LAYER, BUT NOT TO DISCLOSE PLANTING SOIL.
  4. UNLESS OTHERWISE DIRECTED IN WRITING, SEED FROM MARCH 15TH TO JUNE 15TH, AND FROM AUGUST 15TH TO OCTOBER 15TH.

- FERTILIZER:** USE 5-10-5 (NPK) OR EQUIVALENT. APPLY AT RATE OF 4 LBS/1000 SF.
- SMOOTH AND FIRM THE SEEDBED.**
- SEED MIXTURE FOR USE ON LAWN AREAS:** SEED MIXTURE SHALL BE SPECIFIED IN THE PROPORTIONS SPECIFIED FOR SPECIES AND VARIETY, AND CONFORMING TO FEDERAL AND STATE STANDARDS.
- LAWN SEED MIX. (APPLY AT RATE OF 5 TO 6 LBS PER 1000 SF)**
- |        |                     |        |             |
|--------|---------------------|--------|-------------|
| WEIGHT | SPECIES OR VARIETY  | PURITY | GERMINATION |
| 40%    | KENTUCKY BLUE GRASS | 98%    | 90%         |
| 25%    | PERENNIAL RYE GRASS | 98%    | 90%         |
| 25%    | RED FESCUE          | 97%    | 85%         |
| 100%   |                     |        |             |

- SEEDING:**
1. APPLY SEED UNIFORMLY BY CYCLONE SEEDER CULTI-PACKER OR HYDRO-SEEDER AT RATE AS INDICATED.
  2. ALL SEEDING AREAS SHALL BE PROTECTED FROM EROSION BY ONE OF THE FOLLOWING METHODS:
    - i. STRAW BLANKET OF STRAW APPLIED AT A RATE OF 2 TONS /ACRE MIN., TO BE APPLIED ONCE SEEDING IS COMPLETE.
    - ii. WOOD FIBER CELLULOSE APPLIED WITH SEED MIX BY HYDROSEEDER AT RATE OF 2,000 LBS/ACRE.
    - iii. ALL SEEDING SLOPES 3:1 OR GREATER SHALL BE PROTECTED FROM EROSION WITH JUTE MESH OR APPROVED EQUAL.
  3. IRRIGATE TO FULLY SATURATE SOIL LAYER, BUT NOT TO DISCLOSE PLANTING SOIL.
  4. UNLESS OTHERWISE DIRECTED IN WRITING, SEED FROM MARCH 15TH TO JUNE 15TH, AND FROM AUGUST 15TH TO OCTOBER 15TH.

- FERTILIZER:** USE 5-10-5 (NPK) OR EQUIVALENT. APPLY AT RATE OF 4 LBS/1000 SF.
- SMOOTH AND FIRM THE SEEDBED.**
- SEED MIXTURE FOR USE ON LAWN AREAS:** SEED MIXTURE SHALL BE SPECIFIED IN THE PROPORTIONS SPECIFIED FOR SPECIES AND VARIETY, AND CONFORMING TO FEDERAL AND STATE STANDARDS.
- LAWN SEED MIX. (APPLY AT RATE OF 5 TO 6 LBS PER 1000 SF)**
- |        |                     |        |             |
|--------|---------------------|--------|-------------|
| WEIGHT | SPECIES OR VARIETY  | PURITY | GERMINATION |
| 40%    | KENTUCKY BLUE GRASS | 98%    | 90%         |
| 25%    | PERENNIAL RYE GRASS | 98%    | 90%         |
| 25%    | RED FESCUE          | 97%    | 85%         |
| 100%   |                     |        |             |

- SEEDING:**
1. APPLY SEED UNIFORMLY BY CYCLONE SEEDER CULTI-PACKER OR HYDRO-SEEDER AT RATE AS INDICATED.
  2. ALL SEEDING AREAS SHALL BE PROTECTED FROM EROSION BY ONE OF THE FOLLOWING METHODS:
    - i. STRAW BLANKET OF STRAW APPLIED AT A RATE OF 2 TONS /ACRE MIN., TO BE APPLIED ONCE SEEDING IS COMPLETE.
    - ii. WOOD FIBER CELLULOSE APPLIED WITH SEED MIX BY HYDROSEEDER AT RATE OF 2,000 LBS/ACRE.
    - iii. ALL SEEDING SLOPES 3:1 OR GREATER SHALL BE PROTECTED FROM EROSION WITH JUTE MESH OR APPROVED EQUAL.
  3. IRRIGATE TO FULLY SATURATE SOIL LAYER, BUT NOT TO DISCLOSE PLANTING SOIL.
  4. UNLESS OTHERWISE DIRECTED IN WRITING, SEED FROM MARCH 15TH TO JUNE 15TH, AND FROM AUGUST 15TH TO OCTOBER 15TH.

- FERTILIZER:** USE 5-10-5 (NPK) OR EQUIVALENT. APPLY AT RATE OF 4 LBS/1000 SF.
- SMOOTH AND FIRM THE SEEDBED.**
- SEED MIXTURE FOR USE ON LAWN AREAS:** SEED MIXTURE SHALL BE SPECIFIED IN THE PROPORTIONS SPECIFIED FOR SPECIES AND VARIETY, AND CONFORMING TO FEDERAL AND STATE STANDARDS.
- LAWN SEED MIX. (APPLY AT RATE OF 5 TO 6 LBS PER 1000 SF)**
- |        |                     |        |             |
|--------|---------------------|--------|-------------|
| WEIGHT | SPECIES OR VARIETY  | PURITY | GERMINATION |
| 40%    | KENTUCKY BLUE GRASS | 98%    | 90%         |
| 25%    | PERENNIAL RYE GRASS | 98%    | 90%         |
| 25%    | RED FESCUE          | 97%    | 85%         |
| 100%   |                     |        |             |

- SEEDING:**
1. APPLY SEED UNIFORMLY BY CYCLONE SEEDER CULTI-PACKER OR HYDRO-SEEDER AT RATE AS INDICATED.
  2. ALL SEEDING AREAS SHALL BE PROTECTED FROM EROSION BY ONE OF THE FOLLOWING METHODS:
    - i. STRAW BLANKET OF STRAW APPLIED AT A RATE OF 2 TONS /ACRE MIN., TO BE APPLIED ONCE SEEDING IS COMPLETE.
    - ii. WOOD FIBER CELLULOSE APPLIED WITH SEED MIX BY HYDROSEEDER AT RATE OF 2,000 LBS/ACRE.
    - iii. ALL SEEDING SLOPES 3:1 OR GREATER SHALL BE PROTECTED FROM EROSION WITH JUTE MESH OR APPROVED EQUAL.
  3. IRRIGATE TO FULLY SATURATE SOIL LAYER, BUT NOT TO DISCLOSE PLANTING SOIL.
  4. UNLESS OTHERWISE DIRECTED IN WRITING, SEED FROM MARCH 15TH TO JUNE 15TH, AND FROM AUGUST 15TH TO OCTOBER 15TH.

- FERTILIZER:** USE 5-10-5 (NPK) OR EQUIVALENT. APPLY AT RATE OF 4 LBS/1000 SF.
- SMOOTH AND FIRM THE SEEDBED.**
- SEED MIXTURE FOR USE ON LAWN AREAS:** SEED MIXTURE SHALL BE SPECIFIED IN THE PROPORTIONS SPECIFIED FOR SPECIES AND VARIETY, AND CONFORMING TO FEDERAL AND STATE STANDARDS.
- LAWN SEED MIX. (APPLY AT RATE OF 5 TO 6 LBS PER 1000 SF)**
- |        |                     |        |             |
|--------|---------------------|--------|-------------|
| WEIGHT | SPECIES OR VARIETY  | PURITY | GERMINATION |
| 40%    | KENTUCKY BLUE GRASS | 98%    | 90%         |
| 25%    | PERENNIAL RYE GRASS | 98%    | 90%         |
| 25%    | RED FESCUE          | 97%    | 85%         |
| 100%   |                     |        |             |

- SEEDING:**
1. APPLY SEED UNIFORMLY BY CYCLONE SEEDER CULTI-PACKER OR HYDRO-SEEDER AT RATE AS INDICATED.
  2. ALL SEEDING AREAS SHALL BE PROTECTED FROM EROSION BY ONE OF THE FOLLOWING METHODS:
    - i. STRAW BLANKET OF STRAW APPLIED AT A RATE OF 2 TONS /ACRE MIN., TO BE APPLIED ONCE SEEDING IS COMPLETE.
    - ii. WOOD FIBER CELLULOSE APPLIED WITH SEED MIX BY HYDROSEEDER AT RATE OF 2,000 LBS/ACRE.
    - iii. ALL SEEDING SLOPES 3:1 OR GREATER SHALL BE PROTECTED FROM EROSION WITH JUTE MESH OR APPROVED EQUAL.
  3. IRRIGATE TO FULLY SATURATE SOIL LAYER, BUT NOT TO DISCLOSE PLANTING SOIL.
  4. UNLESS OTHERWISE DIRECTED IN WRITING, SEED FROM MARCH 15TH TO JUNE 15TH, AND FROM AUGUST 15TH TO OCTOBER 15TH.

- FERTILIZER:** USE 5-10-5 (NPK) OR EQUIVALENT. APPLY AT RATE OF 4 LBS/1000 SF.
- SMOOTH AND FIRM THE SEEDBED.**
- SEED MIXTURE FOR USE ON LAWN AREAS:** SEED MIXTURE SHALL BE SPECIFIED IN THE PROPORTIONS SPECIFIED FOR SPECIES AND VARIETY, AND CONFORMING TO FEDERAL AND STATE STANDARDS.
- LAWN SEED MIX. (APPLY AT RATE OF 5 TO 6 LBS PER 1000 SF)**
- |        |                     |        |             |
|--------|---------------------|--------|-------------|
| WEIGHT | SPECIES OR VARIETY  | PURITY | GERMINATION |
| 40%    | KENTUCKY BLUE GRASS | 98%    | 90%         |
| 25%    | PERENNIAL RYE GRASS | 98%    | 90%         |
| 25%    | RED FESCUE          | 97%    | 85%         |
| 100%   |                     |        |             |

- SEEDING:**
1. APPLY SEED UNIFORMLY BY CYCLONE SEEDER CULTI-PACKER OR HYDRO-SEEDER AT RATE AS INDICATED.
  2. ALL SEEDING AREAS SHALL BE PROTECTED FROM EROSION BY ONE OF THE FOLLOWING METHODS:
    - i. STRAW BLANKET OF STRAW APPLIED AT A RATE OF 2 TONS /ACRE MIN., TO BE APPLIED ONCE SEEDING IS COMPLETE.
    - ii. WOOD FIBER CELLULOSE APPLIED WITH SEED MIX BY HYDROSEEDER AT RATE OF 2,000 LBS/ACRE.
    - iii. ALL SEEDING SLOPES 3:1 OR GREATER SHALL BE PROTECTED FROM EROSION WITH JUTE MESH OR APPROVED EQUAL.
  3. IRRIGATE TO FULLY SATURATE SOIL LAYER, BUT NOT TO DISCLOSE PLANTING SOIL.
  4. UNLESS OTHERWISE DIRECT