



# 6" Direct LED Wall Mount Cylinder

## LD6LED3D

Wet Location  
120V, 277V  
High Efficacy

DATE: \_\_\_\_\_ TYPE: \_\_\_\_\_

FIRM NAME: \_\_\_\_\_

PROJECT: \_\_\_\_\_



For conversion to millimeters,  
multiply inches by 25.4  
Not to Scale

### APPLICATIONS:

LiteForms™ LD6LED3D Series is a 6" direct wall mount LED cylinder designed to combine superior brightness control with energy savings and long lamp life. Suitable for a variety of commercial, retail, and institutional applications to achieve illumination patterns on vertical walls or columns. Optical lens options in spot, medium, or wide distribution are ideal for higher ceiling applications such as transportation terminals or atrium areas. Suitable for use in ambient temperatures up to 50°C (122°F) during operation.

### HOUSING:

Seamless .058" thick extruded aluminum cylinder body with die cast aluminum canopy, arm, and mounting bracket. Durable powder coat paint finish in a variety of architectural colors including Prescolite's exclusive Zet, metallic silver.

### REFLECTOR:

High purity spun aluminum self-flanged reflector with iridescence suppressed Alzak anodized finish retained by factory installed spring clips and safety cable for ease of maintenance. Provided with integral clear tempered glass lens to protect LEDs.

### LED LIGHT ENGINE:

High efficacy LED light engine equipped with (10) high brightness white LEDs (2700K, 3500K, 4000K, or 5000K) on a metal clad circuit board. Secured to an integral die

cast aluminum heat sink for excellent thermal management. System designed for optimal life and lumen maintenance (50,000 hours at 70% average lumen maintenance\*). \*LED life calculations are based upon maintaining application LED junction temperatures and drive currents at or below manufacturer's requirements per IESNA-LM-80-08 test data.

Optics: Vacuum metallized injection molded optical reflector features (10) parabolic LED modules with Prescolite's patented (U.S. Patent No. 6,254,256) American Matte™ finish to produce uniform illumination. Optional optical lenses provide a choice of spot, medium, or wide distribution for added versatility.

### LED DRIVER:

Energy efficient solid state constant current electronic driver with 50,000 hour minimum anticipated life. Meets UL Class 2, inherent short-circuit protection, self limited, overload protected. Optional 0-10V dimming available to provide flicker-free dimming from 100% to 20%.

### INSTALLATION:

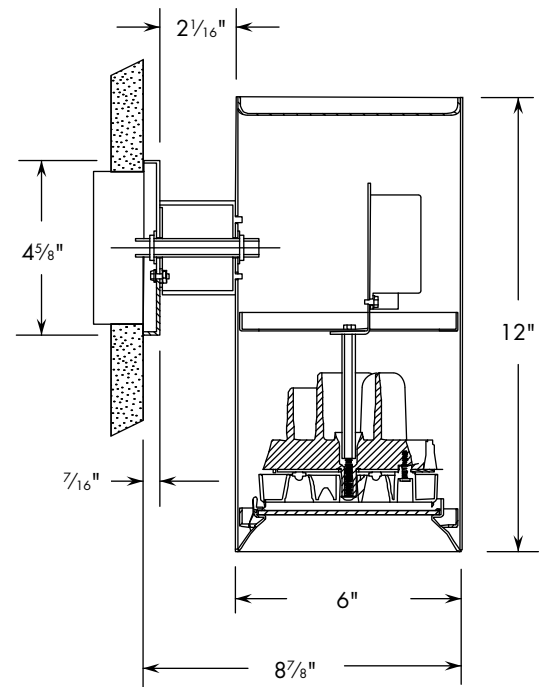
Easy installation onto standard J-Box.

### CERTIFICATIONS:

CSA certified to US and Canadian safety standards. Suitable for wet locations.

### WARRANTY:

3 year warranty  
5 year warranty available\*  
\*(See NOTES on page 3)



CATALOG NUMBER:

EXAMPLE: LD6LED3DW35K7FL35 277V Z

CYLINDER	LED COLOR	LED COLOR TEMP	CRI	BEAM ANGLE	VOLTAGE	REF. COLOR	CYLINDER FINISH
<input type="checkbox"/> <b>LD6LED3D</b> 6" Direct wall mount high efficacy LED cylinder	<input type="checkbox"/> <b>W</b> White	<input type="checkbox"/> <b>27K</b> 2700 Kelvin <input type="checkbox"/> <b>35K</b> 3500 Kelvin <input type="checkbox"/> <b>40K</b> 4000 Kelvin <input type="checkbox"/> <b>50K</b> 5000 Kelvin	<input type="checkbox"/> <b>7</b> Nominal 70+ CRI <input type="checkbox"/> <b>9</b> Nominal 90+ CRI	<input type="checkbox"/> <b>Blank</b> Vacuum metallized reflector with 45° cutoff <input type="checkbox"/> <b>FL35</b> Lensed optic with 35° wide distribution and Zet painted faceplate <input type="checkbox"/> <b>MD25</b> Lensed optic with 25° medium distribution and Zet painted faceplate <input type="checkbox"/> <b>SP18</b> Lensed optic with 18° spot distribution and Zet painted faceplate	<input type="checkbox"/> <b>Blank</b> 120V only <input type="checkbox"/> <b>277V</b> 120/277V  <b>CYLINDER OPTIONS</b> <input type="checkbox"/> <b>DM</b> 0-10V Dimming to 20% (120V only)  <b>REF. FINISH</b> <input type="checkbox"/> <b>Blank</b> Specular <input type="checkbox"/> <b>SS</b> Semi-Specular	<input type="checkbox"/> <b>Blank</b> Clear Alzak <input type="checkbox"/> <b>CG</b> Champagne Gold Alzak <input type="checkbox"/> <b>BL</b> Black Alzak <input type="checkbox"/> <b>WE</b> Wheat Alzak <input type="checkbox"/> <b>LW</b> Light Wheat Alzak <input type="checkbox"/> <b>PW</b> Pewter Alzak <input type="checkbox"/> <b>WH</b> White Paint	<input type="checkbox"/> <b>WH</b> White <input type="checkbox"/> <b>BL</b> Black <input type="checkbox"/> <b>Z</b> Zet <input type="checkbox"/> <b>BA</b> Brushed Aluminum <input type="checkbox"/> <b>BZ</b> Bronze

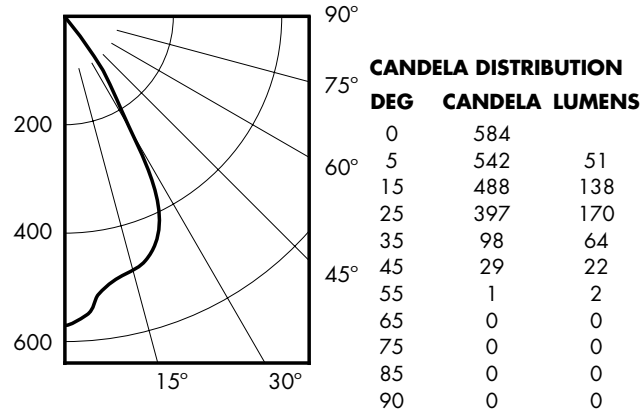
# PHOTOMETRIC DATA

## LiteForms™ - LD6LED3D - 6" Direct Wall Mount LED Cylinder

DRIVER DATA	LD6LED3	LD6LED3 DM	LD6LED3 277V	LUMEN MULTIPLIER				
Input Voltage	120V +/- 10%	120V +/- 10%	120/277V	2700K 3500K 4000K 5000K				
Input Frequency	60 Hz	50/60 Hz	50/60 Hz	70+ CRI	.93	Baseline	1.06	1.25
Input Current	0.13A	0.125A	0.13A/0.07A	90+ CRI	.68	.75	.81	.87
Input Power	14W	13.7W	15W	<b>Note:</b> Multipliers shown are based on LED manufacturer data and can be used to approximate the lumen intensity of a fixture with different LED color temperature and/or CRI with identical optical configuration and reflector finish. For reference only.				
Constant Current Output	700mA	700mA	700mA					
Power Factor	≥0.90	≥0.90	≥0.90					
THD	<20%	<20%	<20%					
EMI Filtering	FCC 47CFR Part 15, Class A	FCC 47CFR Part 15, Class A	FCC 47CFR Part 15, Class B					
Operating Temperature	-40°C to 60°C	-40°C to 60°C	-30°C to 60°C					
Dimming	No	0-10V to 20%	No					
Over-voltage, over-current, short-circuit protected								

### LD6LED3DW35K7

LED Light Engine: (10) LED Array 3500K Std. CRI  
 System Wattage: 13.8  
 Fixture delivered lumens: 448  
 Fixture Efficacy: 32.4  
 Spacing Criteria: 0.8



Test No. 2918  
 Tested at 25°C Ambient in accordance to IESNA LM-79-2008

### ZONAL LUMEN SUMMARY

ZONE	LUMENS	%LUMINAIRE
0-30	360	80.3
0-40	424	94.6
0-60	448	100.0
0-90	448	100.0
90-180	0	0.0
0-180	448	100.0

### LUMINANCE DATA IN CANDELA/SQ. METER

Angle in Vertical	Average - 0°
45°	3996
55°	170
65°	0
75°	0
85°	0

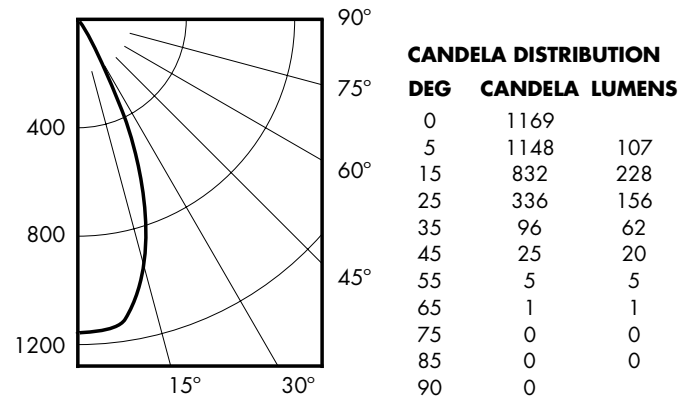
### COEFFICIENTS OF UTILIZATION Zonal Cavity Method

Room Cavity Ratio	% Effective Floor Cavity Reflectance																
	80%		70%		50%		30%		10%								
	20% Effective Floor Cavity Reflectance																
	% Wall Reflectance																
	70	50	30	10	70	50	30	10	50	30	10	50	30	10			
1	114	111	109	107	111	109	107	105	105	103	102	101	100	99	98	97	96
2	109	104	100	97	106	102	99	96	99	96	94	96	94	92	93	91	90
3	103	97	93	89	102	96	92	88	93	90	87	91	88	85	89	86	84
4	99	91	86	82	97	90	85	82	88	84	81	86	83	80	84	81	79
5	94	86	81	76	92	85	80	76	83	79	75	82	78	75	80	77	74
6	90	81	75	71	88	80	75	71	79	74	71	77	73	70	76	73	70
7	85	77	71	67	84	76	71	67	75	70	66	73	69	66	72	69	66
8	81	72	67	63	80	72	66	63	71	66	62	70	65	62	69	65	62
9	78	69	63	59	77	68	63	59	67	62	59	66	62	59	66	61	59
10	74	65	60	56	73	65	59	56	64	59	56	63	59	56	62	58	55

LD6LED3DW35K7 Test No. 2918

### LD6LED3DW35K7FL35

LED Light Engine: (10) LED Array 3500K Std CRI with Flood Lens  
 System Wattage: 13.8  
 Fixture delivered lumens: 579  
 Fixture Efficacy: 41.9  
 Spacing Criteria: 0.6



Test No. 2919  
 Tested at 25°C Ambient in accordance to IESNA LM-79-2008

### ZONAL LUMEN SUMMARY

ZONE	LUMENS	%LUMINAIRE
0-30	491	84.8
0-40	553	95.5
0-60	578	99.8
0-90	579	100.0

### LUMINANCE DATA IN CANDELA/SQ. METER

Angle in Vertical	Average - 0°
45°	3444
55°	849
65°	231
75°	0
85°	0

### COEFFICIENTS OF UTILIZATION Zonal Cavity Method

Room Cavity Ratio	% Effective Floor Cavity Reflectance																
	80%		70%		50%		30%		10%								
	20% Effective Floor Cavity Reflectance																
	% Wall Reflectance																
	70	50	30	10	70	50	30	10	50	30	10	50	30	10			
1	114	112	110	108	112	110	108	106	106	104	103	102	101	100	98	98	97
2	109	105	102	99	107	103	100	98	100	98	95	97	95	93	95	93	91
3	105	99	95	91	103	98	94	91	95	92	89	93	90	88	91	89	87
4	101	94	89	86	99	93	88	85	91	87	84	89	86	83	87	84	82
5	96	89	84	80	95	88	84	80	87	82	79	85	81	79	83	80	78
6	92	85	80	76	91	84	79	76	83	78	75	81	78	75	80	77	74
7	89	81	76	72	88	80	75	72	79	75	71	78	74	71	77	73	71
8	85	77	72	69	84	77	73	68	76	71	68	75	71	68	74	70	68
9	82	74	69	65	81	73	69	65	73	68	65	72	68	65	71	67	65
10	79	71	66	62	78	70	67	62	70	65	62	69	65	62	68	65	62

LD6LED3DW35K7FL35 Test No. 2919

### NOTES

Refer to www.prescolite.com for additional photometric tests (IES Files).



Web: [www.prescolite.com](http://www.prescolite.com) • Tech Support: (888) 777-4832  
 701 Millennium Boulevard • Greenville, SC 29607 U.S.A. • Phone (864) 678-1000  
 Copyright ©2011 Prescolite, Inc., a division of Hubbell Lighting, Inc. All Rights Reserved  
 Specifications subject to change without notice. • Printed in U.S.A. • LFO:LED-007 • 2/24/11



# PHOTOMETRIC DATA

## LiteForms™ - LD6LED3D - 6" Direct Wall Mount LED Cylinder

### LD6LED3DW35K7MD25

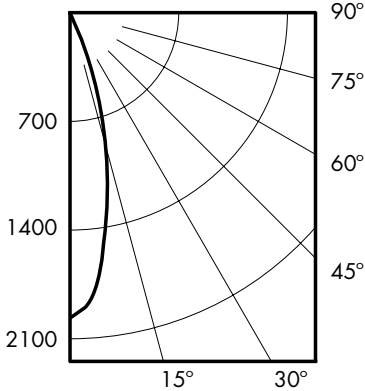
LED Light Engine: (10) LED Array 3500K Std CRI with Medium Lens  
 System Wattage: 13.8  
 Fixture delivered lumens: 600  
 Fixture Efficacy: 43.5  
 Spacing Criteria: 0.4

### ZONAL LUMEN SUMMARY

ZONE	LUMENS	%LUMINAIRE
0-30	528	88.0
0-40	575	95.9
0-60	598	99.7
0-90	600	100.0
90-180	0	0.0
0-180	600	100.0

### LUMINANCE DATA IN CANDELA/SQ. METER

Angle in Vertical	Average - 0°
45°	2756
55°	679
65°	231
75°	0
85°	0



### CANDELA DISTRIBUTION

DEG	CANDELA	LUMENS
0	2023	
5	1835	163
15	865	240
25	267	125
35	72	47
45	20	18
55	4	5
65	1	1
75	0	0
85	0	1
90	0	

Test No. 2920

Tested at 25°C Ambient in accordance to IESNA LM-79-2008

### COEFFICIENTS OF UTILIZATION Zonal Cavity Method

Room Cavity Ratio	% Effective Floor Cavity Reflectance										
	80%		70%		50%		30%		10%		
	20% Effective Floor Cavity Reflectance										
% Wall Reflectance											
	70	50	30	10	70	50	30	10	50	30	10
1	114	112	110	108	112	110	108	106	106	105	103
2	110	106	103	100	108	104	101	99	101	99	97
3	106	101	97	93	104	99	96	93	97	94	91
4	102	96	92	88	100	95	91	88	93	89	87
5	98	92	87	84	97	91	87	83	89	85	83
6	95	88	83	80	94	87	83	79	86	82	79
7	92	84	80	76	91	84	79	76	83	79	76
8	89	81	76	73	88	81	76	73	80	76	73
9	86	78	74	70	85	78	73	70	77	73	70
10	83	75	71	68	82	75	71	68	74	70	67

LD6LED3DW35K7MD25

Test No. 2920

### LD6LED3DW35K7SP18

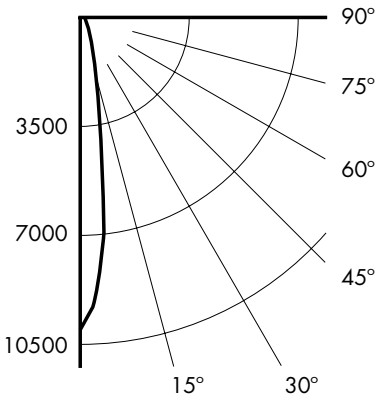
LED Light Engine: (10) LED Array 3500K Std CRI with Spot Lens  
 System Wattage: 13.8  
 Fixture delivered lumens: 640  
 Fixture Efficacy: 46.38  
 Spacing Criteria: 0.3

### ZONAL LUMEN SUMMARY

ZONE	LUMENS	%LUMINAIRE
0-30	591	92.3
0-40	622	97.2
0-60	639	99.8
0-90	640	100.0
90-180	0	0.0
0-180	640	100.0

### LUMINANCE DATA IN CANDELA/SQ. METER

Angle in Vertical	Average - 0°
45°	2204
55°	849
65°	461
75°	0
85°	0



### CANDELA DISTRIBUTION

DEG	CANDELA	LUMENS
0	4075	
5	3105	251
15	790	232
25	221	109
35	47	31
45	16	13
55	5	4
65	2	1
75	0	0
85	0	0
90	0	

Test No. 2921

Tested at 25°C Ambient in accordance to IESNA LM-79-2008

### COEFFICIENTS OF UTILIZATION Zonal Cavity Method

Room Cavity Ratio	% Effective Floor Cavity Reflectance										
	80%		70%		50%		30%		10%		
	20% Effective Floor Cavity Reflectance										
% Wall Reflectance											
	70	50	30	10	70	50	30	10	50	30	10
1	115	113	111	109	113	111	109	107	107	105	104
2	111	107	104	102	109	106	103	101	103	101	99
3	108	103	99	96	106	101	98	95	99	96	94
4	104	99	95	92	103	98	94	91	96	93	90
5	101	95	91	88	100	94	90	87	93	89	87
6	98	92	87	84	97	91	87	84	90	86	84
7	95	89	84	82	94	88	84	81	87	84	81
8	93	86	82	79	92	85	82	79	85	81	78
9	90	83	79	77	89	83	79	76	82	79	76
10	88	81	77	74	87	81	77	74	80	77	74

LD6LED3DW35K7SP18

Test No. 2921

**NOTES:** Refer to [www.prescolite.com](http://www.prescolite.com) for additional photometric tests (IES Files).

- 5 year warranty requires product registration. Warranty limited to repair and replacement of defective parts of the LED system and does not include labor or installation after first year. See [www.prescolite.com](http://www.prescolite.com) for details.
- Operation in ambient temperatures higher than those specified may shorten life and will void warranty.

